

Enclosed Stainless Steel Transport/Retrieval Cart

- ET24PT — 24 tray capacity cart (undivided convection tray)**
- ET30PT — 30 tray capacity cart (undivided convection tray)**

Advanced Meal Systems from Aladdin Temp-Rite offers two different enclosed delivery/retrieval carts to suit your specific requirements. The enclosed design of these carts allows finished meals or soiled trays to be transported in a protected, enclosed environment. These highly durable enclosed carts will provide years of trouble-free service.

FEATURES:

- All stainless steel construction
- Side panels are recessed inside frame for added protection
- One continuous hinge for doors
- Durable and easy to clean
- Both models have 6" non-marking casters, 2 swivel with brake and 2 rigid
- Four corner non-marking bumpers
- Cardholder mounted on side of cart for ease of identification
- ET24PT, ET30PT fits 13.356" x 22.0" (33.92 cm x 55.88 cm) undivided retherm tray (convection)
- Center assembly to support undivided tray and to keep hot and cold food items seperated
- All models have full 270° door swing with a magnetic catch for the open position
- Stainless steel gravity latches
- Removable tray slides for easy cleaning
- Internal brace and external gussetts to prevent racking

OPTIONS:

- Retractable Tow Hitch for ET24PT only



Model # ET24PT
Shown



Specifications

Sales Code	Height	Width	Depth	Weight	Tray Capacity	Shelf Spacing
ET24PT	55 9/16"	30 7/8"	33 13/16"	220 lbs.	24	3.5"
ET30PT	66 1/16"	30 7/8"	33 13/16"	255 lbs.	30	3.5"

Specifications subject to change without notice

REV December 8, 2009



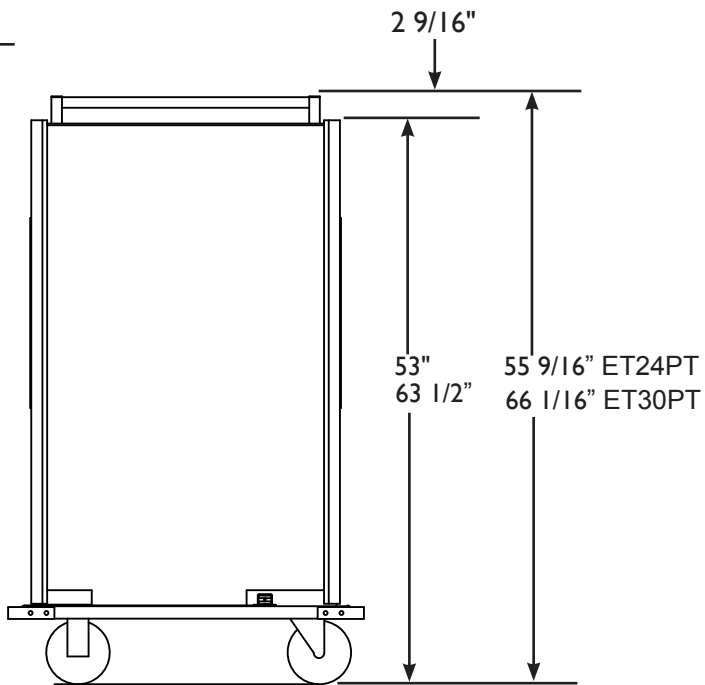
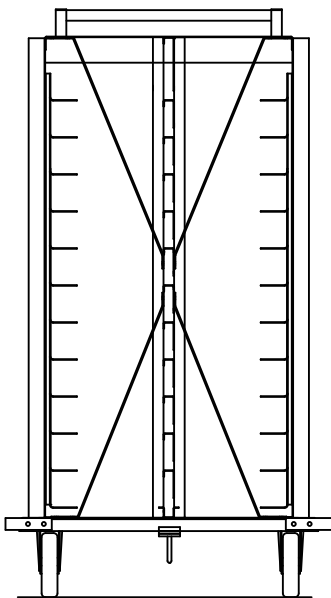
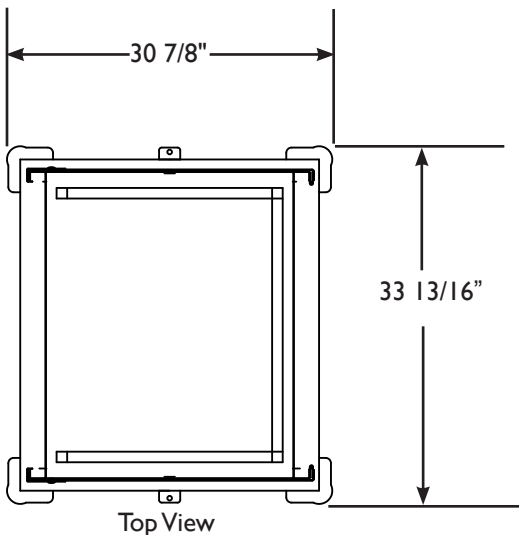
P.O. Box 2978, Hendersonville, TN 37077-2978
Toll Free 1-800-888-8018 or Fax 615-338-3621
www.aladdintemprite.com

...better by degrees.

Model # ET24PT, ET30PT

Model # ET24PT, ET30PT

Enclosed Stainless Steel Transport/Retrieval Cart



ET24PT Shown

Aladdin Temp-Rite



P.O. Box 2978, Hendersonville, TN 37077-2978
 Toll Free 1-800-888-8018 or Fax 615-338-3621
www.aladdintemprite.com

...better by degrees.