



L04S Shown

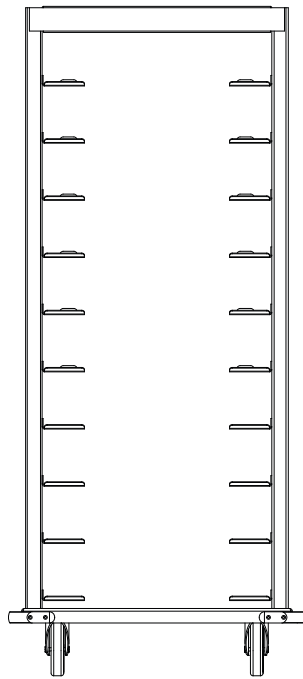
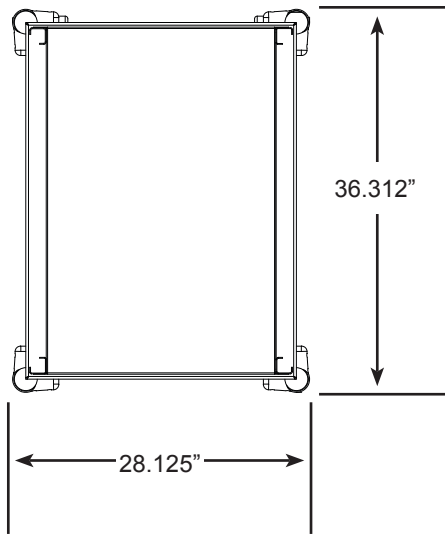
Model # L03S, L04S Denested Delivery Cart

Aladdin Temp-Rite denested delivery carts are designed to efficiently transport Aladdin Temp-Rite tray systems to and from patient floors and dining areas. Each tray is individually suspended, allowing for the random selection of meals..

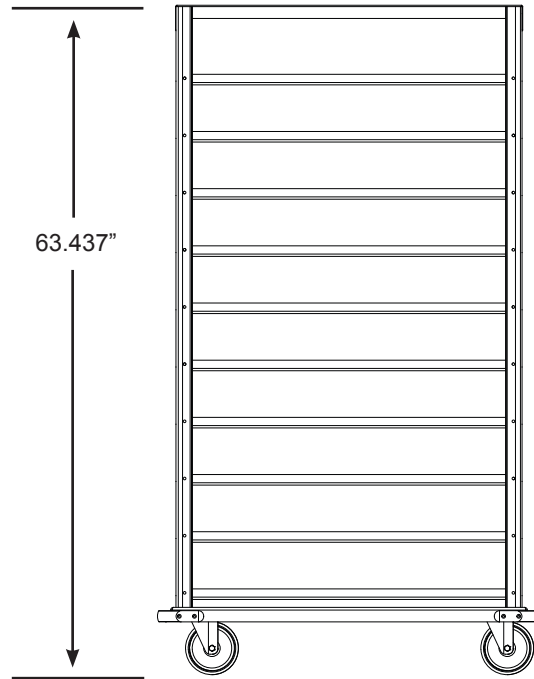
STANDARD FEATURES:

- All stainless steel construction
- Four 5" diameter casters, two fixed and two swivel with locks
- Formed in tray retainers to prevent trays from sliding out
- Formed in stops to prevent trays from bumping together
- Non-marking corner bumpers
- Accommodates insulated tray sets between 19.75" (50.2 cm) and 21.5" (54.6 cm) long
- Recommended for the following Aladdin Temp-Rite Systems: Skandia, Century I, Bravo and Century II
- Will also accommodate standard 15" x 20" trays
- 5 1/4" spacing between tray slides

**Model # L03S, L04S
Denested Delivery Cart**



L04S Shown



Capacity, Dimensions & Weight Data		
Model Number	L03S	L04S
Maximum Tray Capacity	12	20
Clearance Between Tray Guides	4.937" (12.54 cm)	4.937" (12.54 cm)
Overall Width	28.125" (71.43 cm)	28.125" (71.43 cm)
Overall Length	36.312" (92.23 cm)	36.312" (92.23 cm)
Overall Height	42.093" (106.91 cm)	63.437" (161.12 cm)
Approximate Shipping Weight	70 lbs (31.75 kg)	111 lbs (50.34 kg)

Denested Delivery Cart : Model # L03S, L04S